

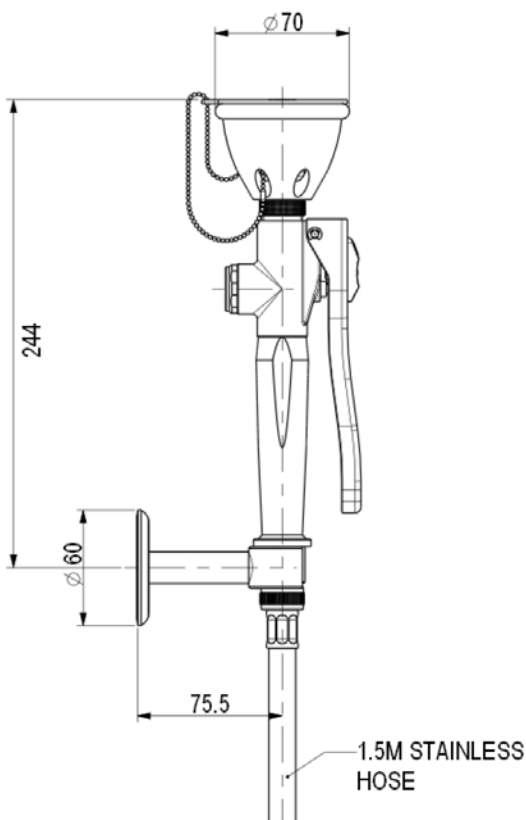
# TRIGGER EYE WASH

**MODEL: EW65**

Manufactured in accordance with ANSI Z358.1-2014, this trigger eye wash is perfect for rinsing the eyes, face or body. Wall-mounting bracket is included for easy installation and operation is via squeezing the trigger. The valve and flow will remain open until released. Suitable flooring should be considered to prevent a slip hazard.

## KEY FEATURES

- Meets ANSI Z358.1
- Wall-mounting bracket included
- Highly visible
- Suitable for 0-40°C temperatures



## OPERATING CONDITIONS

**WATER SUPPLY PRESSURE** 2 - 5 bar  
**TEMPERATURE** 0°C to 40°C

## TECHNICAL DETAILS

**WALL MOUNTABLE** Yes (bracket included)  
**INLET CONNECTION** 3/8" BSPM  
**FLOW RATE** 6 lpm  
**OPERATION** Trigger  
**SIGNAGE** Self-adhesive pictorial

## MATERIAL DETAILS

**MATERIAL** Powder coated bronze  
**HOSE** Stainless 1.5M

[www.aqua-safety.com](http://www.aqua-safety.com)



Aqua Safety Showers International Ltd,  
Redgate Road, South Lancashire Industrial Estate,  
Ashton-in-Makerfield, Wigan, WN4 8DT. UK



sales@aquasafety.com



+44 (0) 1942 318096

VAT No: 259714570  
Registration No: 10427026