

HEAVY-DUTY EYE & FACE WASH

MODEL: EB3G

Ideal for any environment and fully compliant with ANSI Z358.1-2014 and EN15154 standards, this heavy-duty eye & face wash requires mains water pressure of 2-3 bar and is operated by lifting the lid. The unit is corrosion resistant and suitable for hazardous or non-hazardous environments. Supplied with micron filter to remove impurities and flow control. Low-pressure unit also available.

KEY FEATURES

- Comes with 5 micron filter
- Highly visible, heavy-duty
- Stainless steel pipework & valve
- Manufactured in house, in the UK



OPERATING CONDITIONS

MAINS WATER PRESSURE 2 - 3 bar
TANK FED / LOW WATER PRESSURE 0.5 - 1 bar
TEMPERATURE -5°C to +40°C

TECHNICAL DETAILS

INLET CONNECTION ½" BSPM (*flanged options available*)
EYEBATH DRAIN OUTLET CONNECTION 40mm PVC-U
FLOW RATE (mains-fed) 23lpm
FLOW RATE (tank-fed / low pressure) Min 1.5lpm per nozzle
OPERATION Lift lid (*foot operation as option*)
EYEBATH FILTER (mains-fed only) 5 micron

MATERIAL DETAILS

PIPEWORK 316 stainless steel
OPERATING VALVES 316 stainless steel
HINGES 316 stainless steel
LID & BASE Yellow GRP
HANDLE Black plastic
NOZZLES (mains-fed) Aerated - chrome plated
NOZZLES (tank-fed / low pressure) Black nylon

www.aqua-safety.com



Aqua Safety Showers International Ltd,
 Redgate Road, South Lancashire Industrial Estate,
 Ashton-in-Makerfield, Wigan, WN4 8DT. UK



sales@aqua-safety.com



+44 (0) 1942 318096

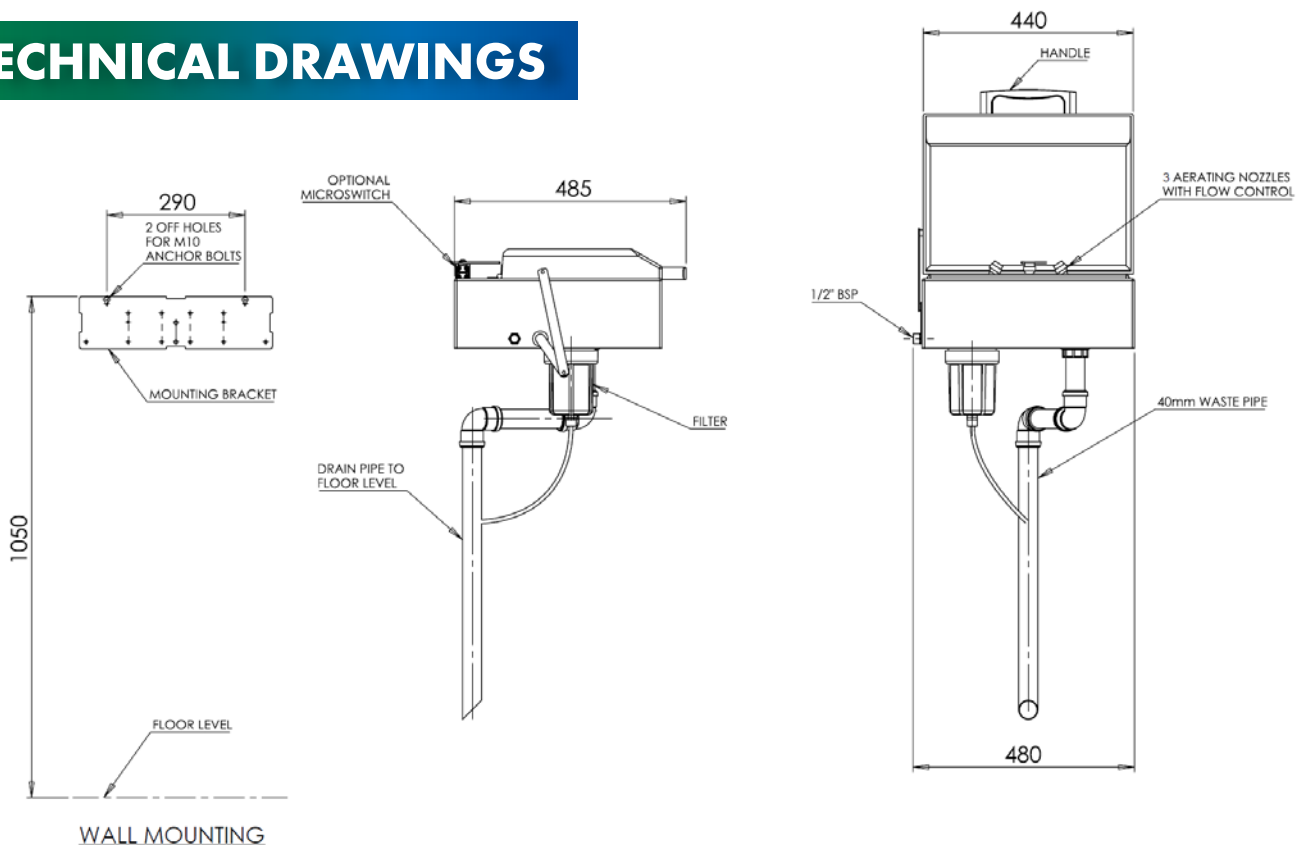


VAT No: 259714570
 Registration No: 10427026

OPTIONAL EXTRAS



TECHNICAL DRAWINGS



www.aqua-safety.com



Aqua Safety Showers International Ltd,
Redgate Road, South Lancashire Industrial Estate,
Ashton-in-Makerfield, Wigan, WN4 8DT. UK



sales@aqu-safety.com



+44 (0) 1942 318096



VAT No: 259714570
Registration No: 10427026