

1500L REMOTE HEADER TANK

MODEL: RT1500

Suitable for all climates and fully compliant with ANSI Z358.1-2014 and EN15154 standards, this header tank delivers over 15 minutes of tepid water without the need of a mains water supply. The unit is completely corrosion resistant and suitable for hazardous or non-hazardous environments.



OPERATING CONDITIONS

WATER SUPPLY PRESSURE 0.5 - 6 bar
TEMPERATURE -25°C to +55°C (water chiller recommended for temperatures above 35°C)

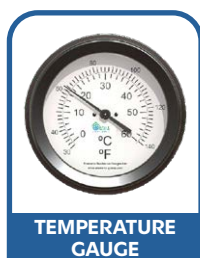
TECHNICAL DETAILS

INLET CONNECTION 1" BSPM (flanged options available)
SHOWER DRAIN OUTLET CONNECTION - if fitted 2" BSPF (interconnecting pipework not included)
SCREENED OVERFLOW 40mm PVC-U
BALL FLOAT VALVES for quick refill 2 x 3/4" stainless valves with 6" plastic floats
SIGNAGE Self-adhesive photoluminescent pictorial sign

MATERIAL DETAILS

HEADER TANK 1500L green insulated GRP (other colours available)
HEADER TANK LID White insulated GRP
SHOWER FRAME 304 stainless steel as standard (316 as option)
OVERHEAD SUN CANOPY - if fitted White insulated GRP
TEMPERATURE GAUGE - if fitted Stainless steel - 150mm diameter
WATER HEATER - if fitted 2.4Kw Heater pads (Non-hazardous)
 3Kw Immersion heater (Hazardous)

OPTIONAL EXTRAS



www.aqua-safety.com



Aqua Safety Showers International Ltd,
 Redgate Road, South Lancashire Industrial Estate,
 Ashton-in-Makerfield, Wigan, WN4 8DT. UK



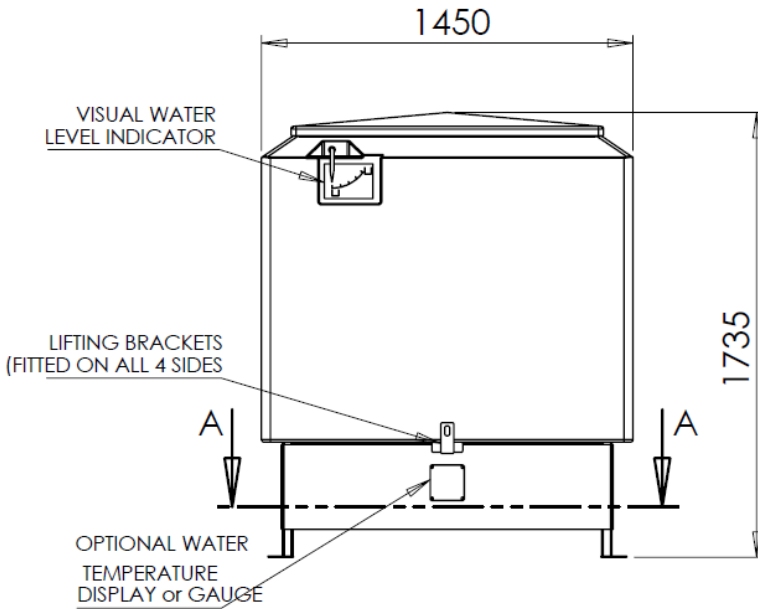
sales@aqua-safety.com

+44 (0) 1942 318096

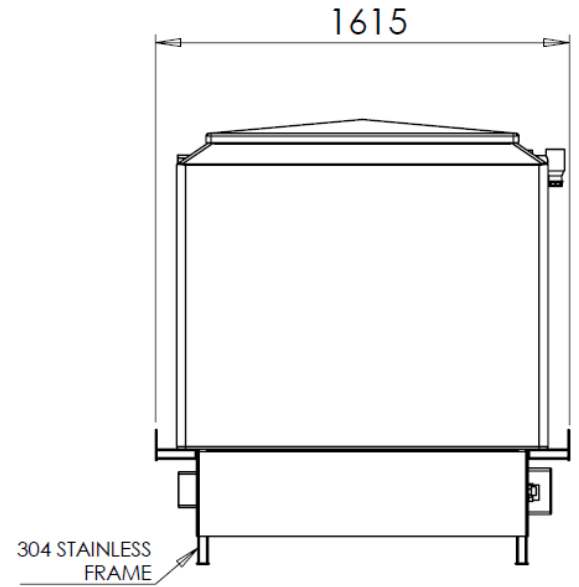


VAT No: 259714570
 Registration No: 10427026

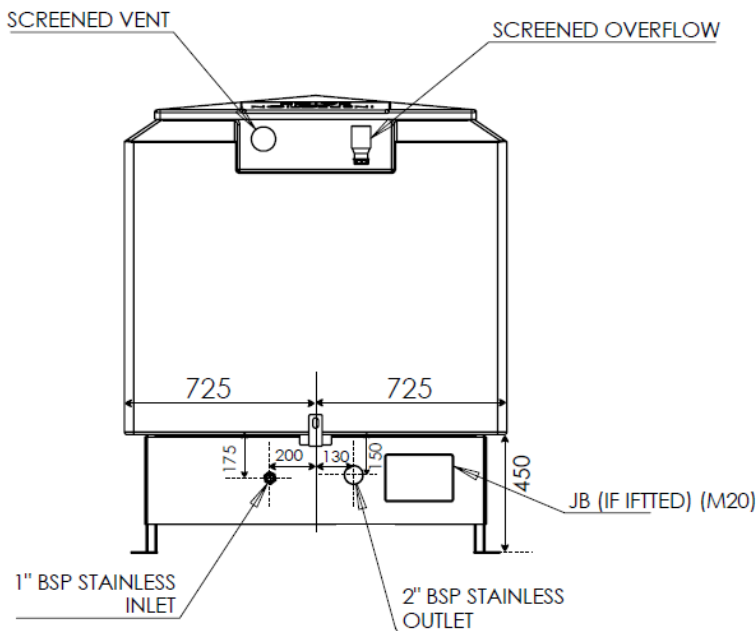
TECHNICAL DRAWINGS



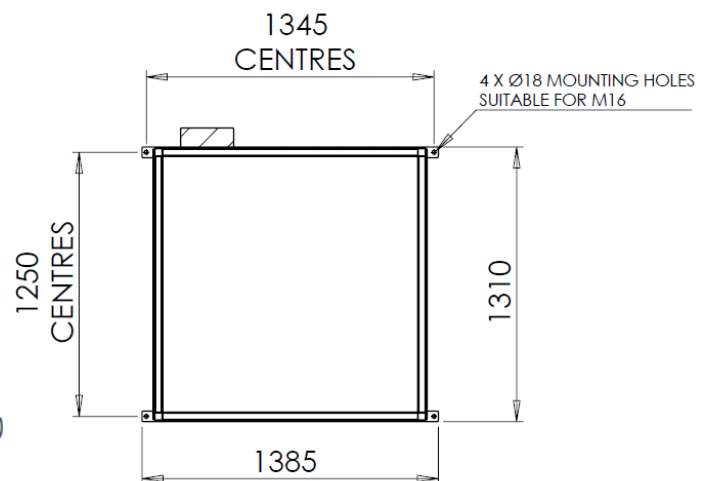
FRONT VIEW



SIDE VIEW



REAR VIEW



SECTION AA

www.aqua-safety.com



Aqua Safety Showers International Ltd,
Redgate Road, South Lancashire Industrial Estate,
Ashton-in-Makerfield, Wigan, WN4 8DT. UK



sales@aqu-safety.com

+44 (0) 1942 318096



VAT No: 259714570
Registration No: 10427026