

1500L SELF-CONTAINED TANK SHOWER WITH CHILLER

MODEL: TS1500CN

Ideal for outdoor, hot climates and fully compliant with ANSI standards, this tank shower guarantees over 15 minutes of tepid water without the need of a mains water supply. The unit is completely corrosion resistant and suitable for non-hazardous environments. The chiller ensures water is kept at 20°C, helping to reduce the growth of bacteria.

KEY FEATURES

- 15 minutes tepid water
- Manufactured in house, in the UK
- Photo-luminous pictorial signs
- 20°C water - day or night



MADE IN BRITAIN

OPERATING CONDITIONS

WATER SUPPLY PRESSURE 0.5 - 6 bar
TEMPERATURE Up to 55°C

TECHNICAL DETAILS

INLET CONNECTION 1" BSPM (*flanged options available*)
SHOWER DRAIN OUTLET CONNECTION - if fitted 2" BSPF
SCREENED OVERFLOW 40mm PVC-U
SHOWER FLOW RATE 76lpm
EYEBATH FLOW RATE Min 1.5lpm
BALL FLOAT VALVES for quick refill 2 x 3/4" stainless valves with 6" plastic floats
SHOWER OPERATION Panic bar (*GRP foot platform as option*)
EYEBATH OPERATION Lift lid (*stainless foot operation as option*)

MATERIAL DETAILS

HEADER TANK 1500L green insulated GRP (*other colours available*)
HEADER TANK LID White insulated GRP
SHOWER FRAME 304 stainless steel as standard (*316 as option*)
OPERATING VALVES Stainless steel
SHOWER ROSE Yellow - ABS (*stainless as options*)
PANIC BAR/TESTING LEVER Stainless steel (*powder coated red for high visibility*)
CHILLER PEDESTAL Stainless steel
CHILLER TO TANK CONNECTIONS ABS pipe and stainless steel hose (x2)
PANELLING - if fitted Side & rear - green GRP
SHOWER PLATFORM - if fitted Yellow non-slip GRP
OVERHEAD SUN CANOPY - if fitted White insulated GRP
EYEBATH - if fitted Yellow GRP + 2 low pressure nozzles
EYEBATH FOOT TREADLE - if fitted Stainless steel (*powder coated red for high visibility*)
TEMPERATURE GAUGE - if fitted Stainless steel - 150mm diameter
WATER HEATER - if fitted 2.4Kw (*Non-hazardous*)

www.aqua-safety.com



Aqua Safety Showers International Ltd,
Redgate Road, South Lancashire Industrial Estate,
Ashton-in-Makerfield, Wigan, WN4 8DT. UK



sales@aquasafety.com



+44 (0) 1942 318096

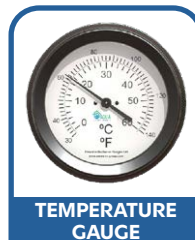


VAT No: 259714570
Registration No: 10427026

CHILLER DETAILS

UNIT CLASSIFICATION	Non-Hazardous Area
OPERATING LIMITS	0 °C to +55 °C
IP CLASSIFICATION	IP 54
NOISE LEVEL (at 1m distance)	65 dBa
SAFETY FEATURES	HP and LP Safety Switch
NOMINAL COOLING DUTY	3 kW
ADJUSTABLE FLUID TEMPERATURE RANGE	+18 °C to +36 °C
REFRIGERANT	R134a
DUTY DESIGN TEMPERATURE	+40 °C
EVAPORATING TEMPERATURE	+15 °C
CONDENSING TEMPERATURE	+58 °C
MAXIMUM ALLOWABLE PRESSURE	27.6 barg / 400 psig
UNIT WEIGHT	68 kg
OVERALL DIMENSIONS (w x d x h)	781 mm x 584 mm x 654 mm
SERVICE SPACE / AIRFLOW CLEARANCE	500 mm
CONDENSER AIRFLOW / TUBE & FIN MATERIAL	0.28 m ³ /s / Copper Tube / Aluminium Fin
CASING MATERIAL	Mild Steel
CASING MATERIAL FINISH / COLOUR	Painted / White (RAL 9010)
ESTIMATED FLUID FLOW RATE	1.5 m ³ /h
FLUID SUPPLY CONNECTION TYPE / SIZE	Female BSP / ¾ inch
FLUID RETURN CONNECTION TYPE / SIZE	Female BSP / ¾ inch
POWER SUPPLY	230V±10% / 1 Ph / 50Hz or 60 Hz
POWER CONSUMPTION	1.864 kW
RUNNING CURRENT	8.0 A
CONTROL VOLTAGE	230 Vac

OPTIONAL EXTRAS



www.aqua-safety.com



Aqua Safety Showers International Ltd,
Redgate Road, South Lancashire Industrial Estate,
Ashton-in-Makerfield, Wigan, WN4 8DT. UK



sales@aquasafety.com

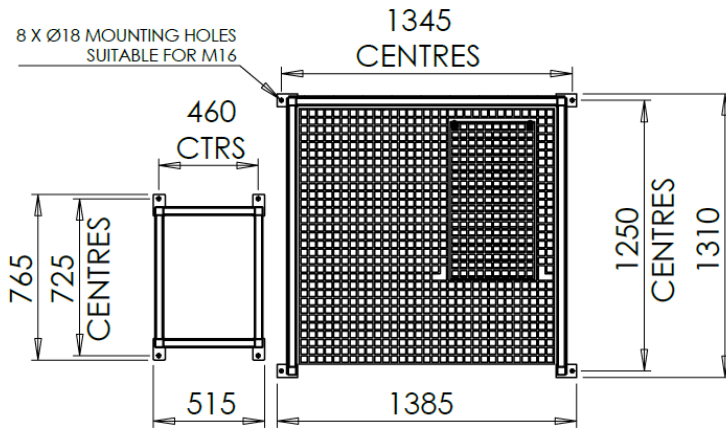


+44 (0) 1942 318096

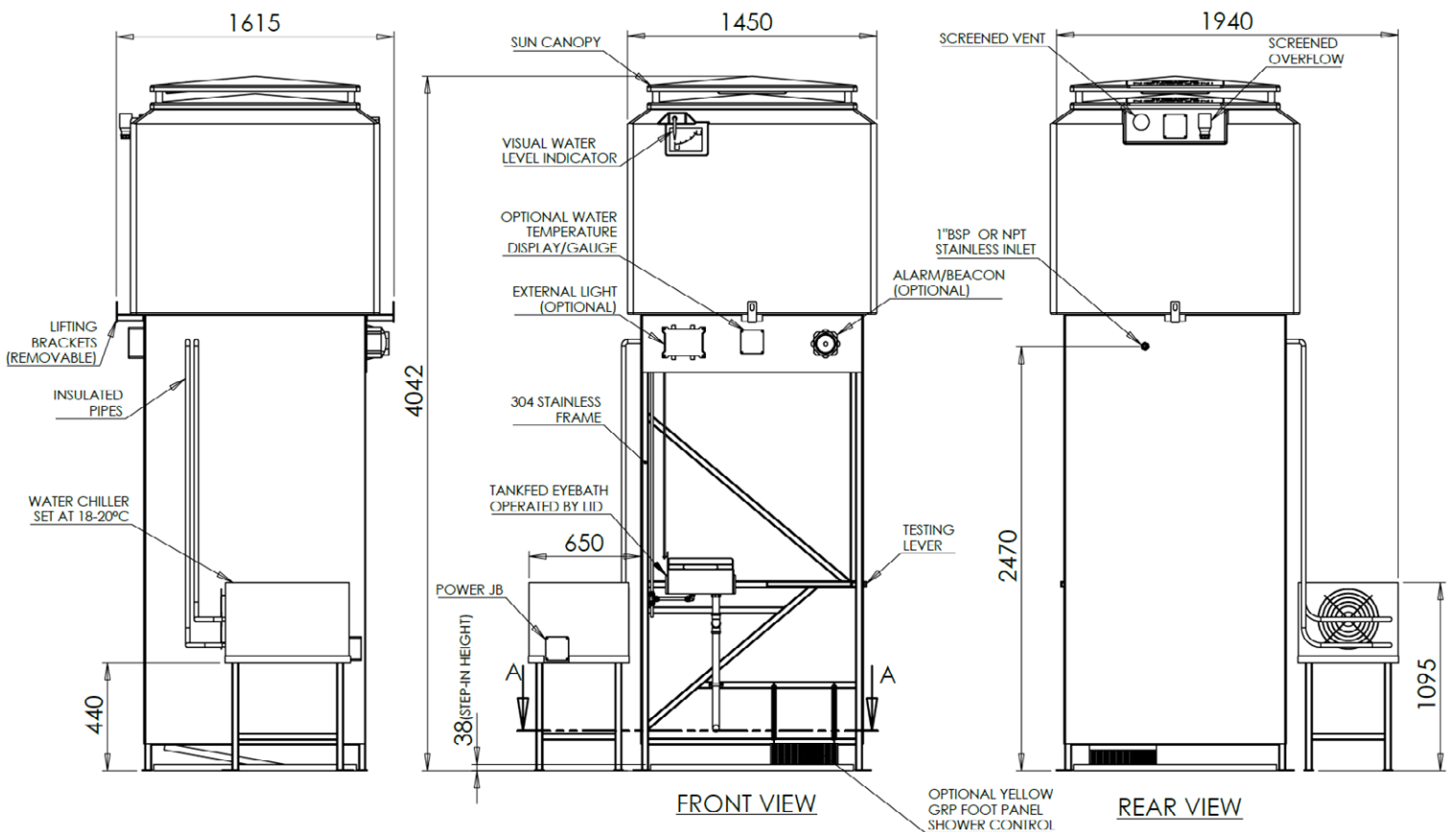
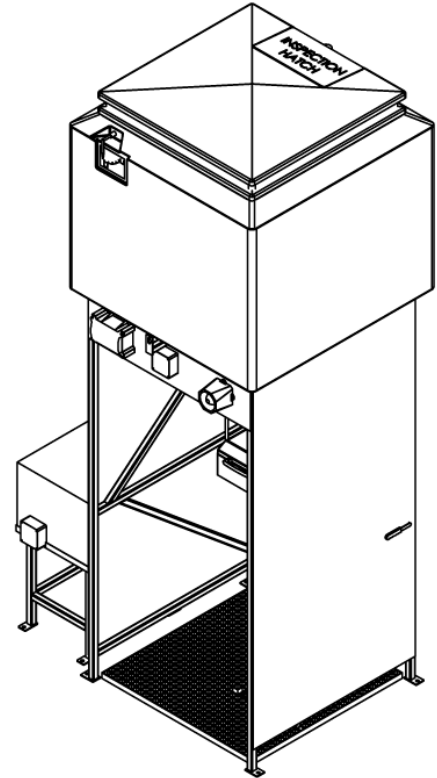


VAT No: 259714570
Registration No: 10427026

TECHNICAL DRAWINGS



SECTION A-A



www.aqua-safety.com



Aqua Safety Showers International Ltd,
Redgate Road, South Lancashire Industrial Estate,
Ashton-in-Makerfield, Wigan, WN4 8DT. UK



sales@aquasafety.com



+44 (0) 1942 318096



VAT No: 259714570
Registration No: 10427026